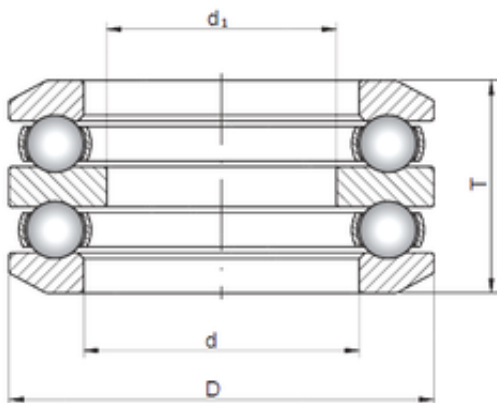


54410 ISO Thrust Ball Bearings



Bearing No. 54410

Size	52x110x83.2 mm
Bore Diameter	52 mm
Outer Diameter	110 mm
Width	83,2 mm
d	52 mm
d1	40 mm
D	110 mm
T	83,2 mm

54410 Bearing 2D drawings and 3D CAD models