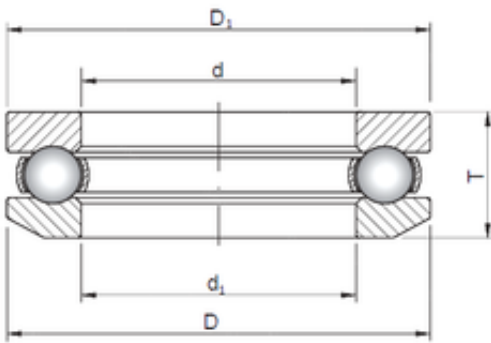


Bearing No. 53236



| | |
|----------------|---------|
| Bore Diameter | 180 mm |
| Outer Diameter | 245 mm |
| d | 180 mm |
| d1 | 183 mm |
| D | 245 mm |
| D1 | 250 mm |
| T | 58,2 mm |