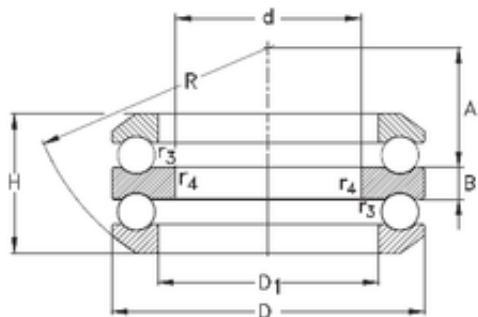


### 54411 NKE Thrust Ball Bearings



Bearing No. 54411

Size	45x120x92 mm
Bore Diameter	45 mm
Outer Diameter	120 mm
Width	92 mm
d	45 mm
D	120 mm
H	92 mm
r1 min.	1,5 mm
r2 min.	1,5 mm
r3 min.	0,6 mm
r4 min.	0,6 mm
A	22,5 mm
B	20 mm
D1	57 mm
R	90 mm
Weight	3,49 Kg
Basic dynamic load rating (C)	180 kN
Basic static load rating (C0)	360 kN

54411 Bearing 2D drawings and 3D CAD models