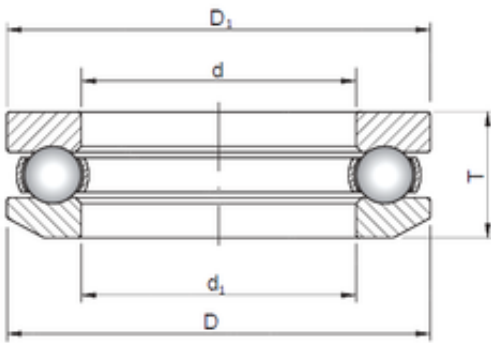


Bearing No. 53411



Bore Diameter	55 mm
Outer Diameter	120 mm
d	55 mm
d1	57 mm
D	120 mm
D1	120 mm
T	50,5 mm