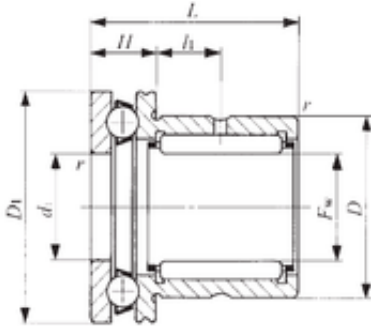


NAX 4032Z IKO Complex Bearings



NAX 4032Z Bearing 2D drawings and 3D CAD models

Bearing No. NAX 4032Z

Bore Diameter	40 mm
Outer Diameter	52 mm
Fw	40 mm
D	52 mm
D1	60 mm
D2	61 mm
d1	40 mm
r min.	0,6 mm
H	13 mm
L	32 mm
L1	10 mm
da min.	52 mm
Weight	0,227 Kg
Dynamic load rating radial (C)	29,4 kN
Dynamic load rating axial (C)	26,9 kN
Static load rating radial (C0)	54,1 kN
Static load rating axial (C0)	50 kN