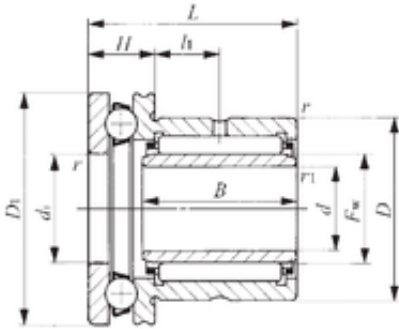


Bearing No. NAXI 5040



Bore Diameter	50 mm
Outer Diameter	72 mm
d	50 mm
Fw	60 mm
D	72 mm
D1	85 mm
B	25,5 mm
d1	60 mm
r min.	1 mm
r1 min.	1 mm
H	17 mm
L	40 mm
L1	12 mm
da min.	75 mm
db	59 mm
Weight	0,582 Kg
Dynamic load rating radial (C)	47,5 kN
Dynamic load rating axial (C)	41,4 kN
Static load rating radial (C0)	103 kN
Static load rating axial (C0)	89,7 kN
Category	Bearings
BDI Inventory	0.0
Manufacturer Name	IKO
Minimum Buy Quantity	N/A
Weight / Kilogram	0
Product Group - BDI	B04144