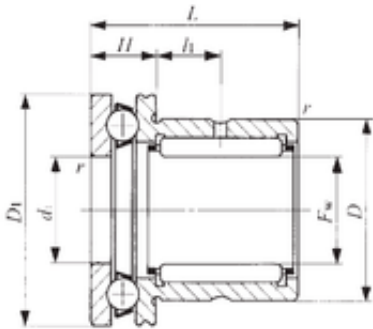


Bearing No. NAX 1023



Bore Diameter	10 mm
Outer Diameter	19 mm
Fw	10 mm
D	19 mm
D1	24 mm
d1	10 mm
r min.	0,3 mm
H	9 mm
L	23 mm
L1	6,5 mm
da min.	18 mm
Weight	0,0385 Kg
Dynamic load rating radial (C)	8,23 kN
Dynamic load rating axial (C)	10 kN
Static load rating radial (C0)	9,19 kN
Static load rating axial (C0)	11,1 kN