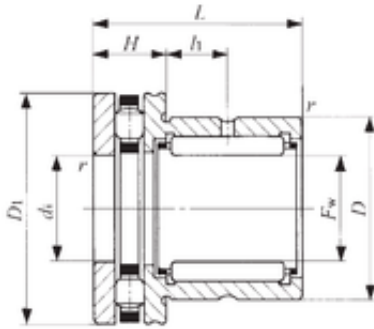


Bearing No. NBX 3530



Bore Diameter	35 mm
Outer Diameter	47 mm
Fw	35 mm
D	47 mm
D1	52 mm
d1	35 mm
r min.	0,6 mm
H	12 mm
L	30 mm
L1	9 mm
da min.	50 mm
Weight	0,186 Kg
Dynamic load rating radial (C)	26,9 kN
Dynamic load rating axial (C)	29,1 kN
Static load rating radial (C0)	46,2 kN
Static load rating axial (C0)	91,1 kN