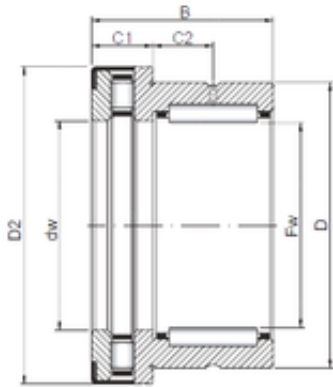


Bearing No. NKXR 30 Z



Size	30x42x30 mm
Bore Diameter	30 mm
Outer Diameter	42 mm
Width	30 mm
d	30 mm
Fw	30 mm
D	42 mm
B	30 mm
C1	11 mm
D2	48,2 mm
C2	9,5 mm