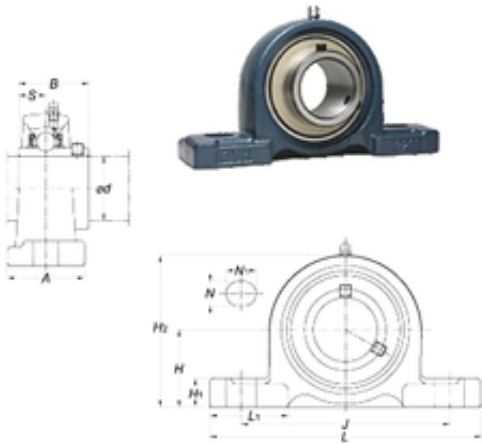


UCP214 FYH Bearing Units



Bearing No. UCP214

Bore Diameter	70 mm
Width	74,6 mm
d	70 mm
A	72 mm
B	74,6 mm
H	79,4 mm
H1	28 mm
H2	156 mm
J	210 mm
L	266 mm
L1	78 mm
N	25 mm
N1	30 mm
S	30,2 mm
Bolt (G)	M20
Weight	6,8 Kg
Basic dynamic load rating (C)	62,2 kN
Basic static load rating (C0)	44,1 kN
Category	Mounted Units & Inserts
Inventory	0.0
Manufacturer Name	FYH BEARING UNITS
Minimum Buy Quantity	N/A
Weight / Kilogram	0
Product Group	M06110

UCP214 Bearing 2D drawings and 3D CAD models