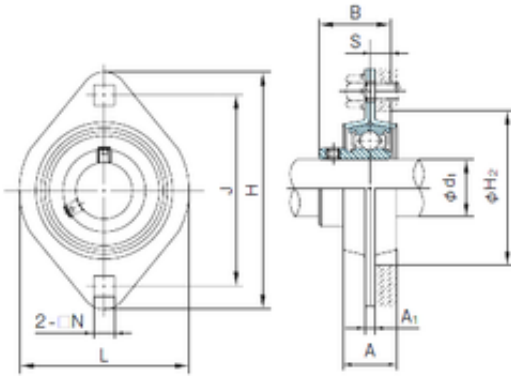


Bearing No. BPFL6



Bore Diameter	30 mm
d	30 mm
H	113 mm
A	18 mm
A1	5.2 mm
B	30.3 mm
H2	71 mm
J	90.5 mm
L	84 mm
N	11 mm
S	8 mm
Bolt (G)	M10