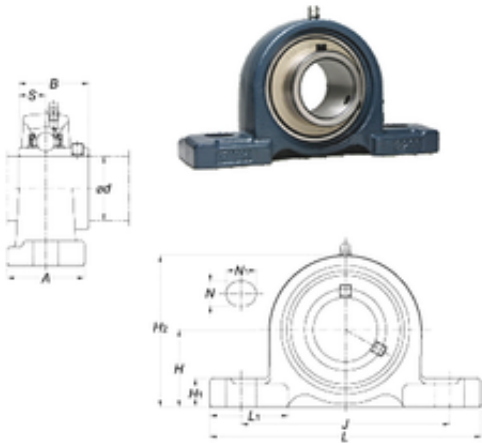


Bearing No. UCPX15



Bore Diameter	75 mm
Width	82,6 mm
d	75 mm
A	89 mm
B	82,6 mm
H	88,9 mm
H1	32 mm
H2	175 mm
J	229 mm
L	330 mm
L1	99 mm
N	27 mm
N1	50 mm
S	33,3 mm
Bolt (G)	M22
Weight	10,8 Kg
Basic dynamic load rating (C)	72,7 kN
Basic static load rating (C0)	53 kN
Category	Mounted Units & Inserts
BDI Inventory	0.0
Manufacturer Name	FYH BEARING UNITS
Minimum Buy Quantity	N/A
Weight / Kilogram	0
Product Group - BDI	M06110