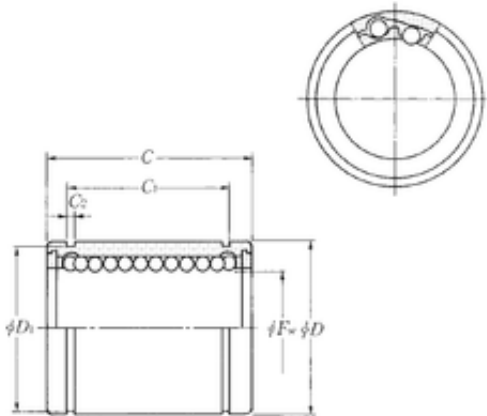


### Bearing No. KLM16



Size	16x28x37 mm
Bore Diameter	16 mm
Outer Diameter	28 mm
Width	37 mm
Fw	16 mm
D	28 mm
C	37 mm
C1	26,5 mm
D1	27 mm
C2	1,6 mm
Weight	0,075 Kg
Basic dynamic load rating (C)	875 kN