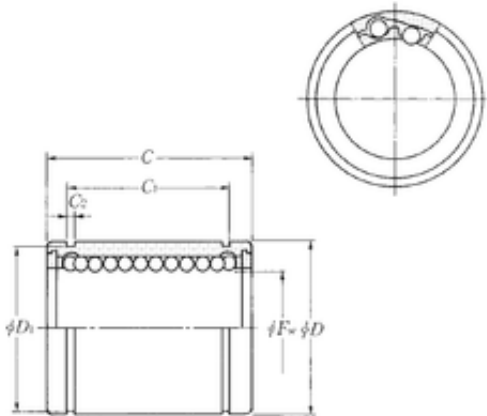


Bearing No. KLM12LL



Size	12x22x32 mm
Bore Diameter	12 mm
Outer Diameter	22 mm
Width	32 mm
Fw	12 mm
D	22 mm
C	32 mm
C1	22,7 mm
D1	21 mm
C2	1,3 mm
Weight	0,042 Kg
Basic dynamic load rating (C)	480 kN